

# W型护舷

## W- Fenders



W型护舷的两边有安装用的通孔，而且护舷有良好的柔性，便于环布安装到各种船舷上。

主要用于各种港口作业拖轮和驳船，也可用于桥

W-Fenders has a unique 'open bore' design which makes installation very simple. The flexible legs allow W-Fenders to be curved around most hull shapes.

It have been developed for use as push-pads for tugs, and are also ideal for protecting the berthing



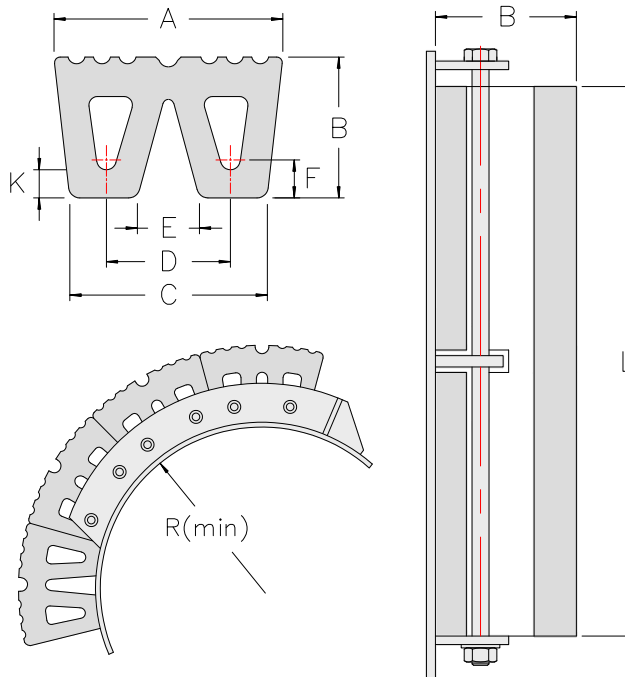
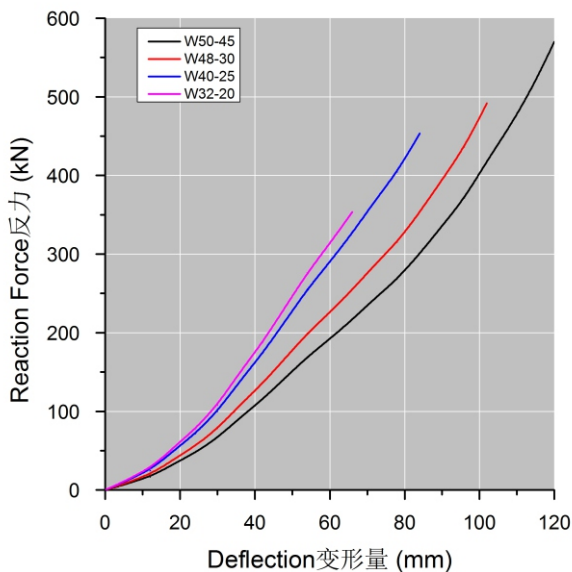
## 护舷规格 Specification

型号Type	A	B	C	D	E	F	K	LMax	重量 weight
W32-20	320	200	280	180	100	67	50	3000	59
W40-25	400	250	350	230	110	55	40	3000	88
W48-30	480	300	420	270	145	90	65	3000	130
W50-45	500	450	420	270	145	100	75	3000	192

[Units: mm, kg/m]

穿杠 Pin	夹板 Flat Bar	R <sub>Max</sub>
Φ25	100×20	600
Φ30	120×20	800
Φ40	140×20	900
Φ40	150×20	1000

[Units: mm]



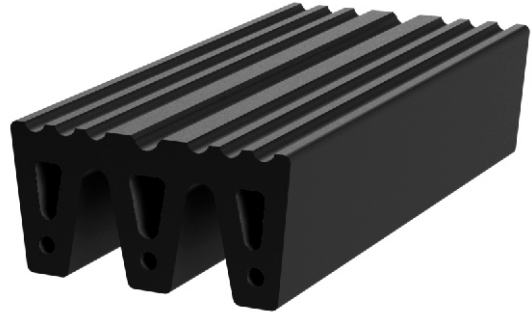
# M型护舷

M-Fender



M型护舷具有更宽的柔性接触面，三个安装孔使护舷更加坚实耐用。

M-Fenders have a large and flexible contact surface which exerts a low pressure during pushing operations. The triple legs give a strong



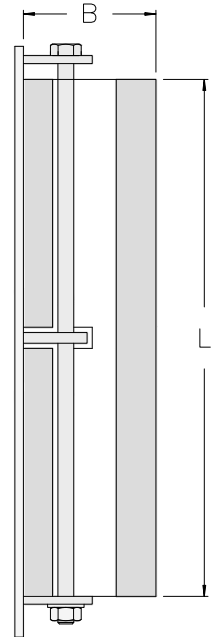
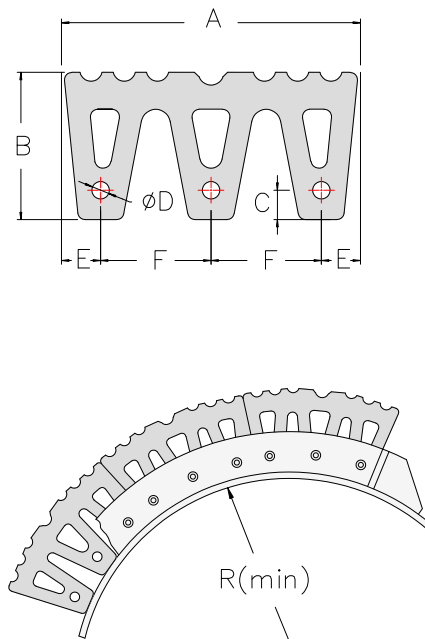
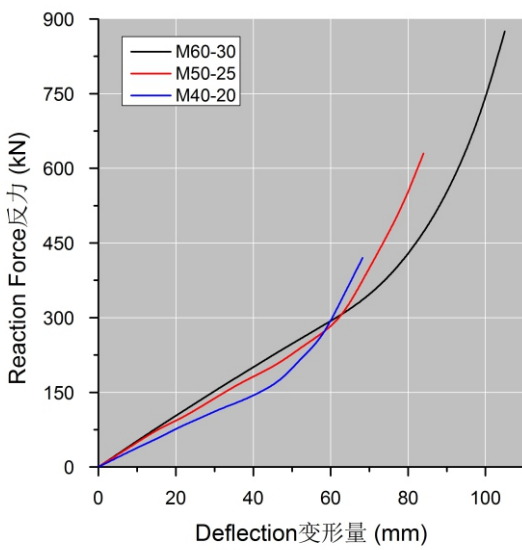
## 护舷规格 Specification

型号Type	A	B	C	ΦD	E	F	LMax	重量 weight
M40-20	400	200	40	23	50	150	3000	60
W50-25	500	250	50	27	60	190	3000	95
M60-30	600	300	60	33	70	230	3000	140

[Units: mm, kg/m]

穿杠 Pin	夹板 Flat Bar	R <sub>Max</sub>
Φ20	100×16	440
Φ24	125×20	550
Φ30	150×20	650

[Units: mm]



# 锁孔型护舷

## Keyhole Fenders



锁扣型护舷，可承受重载荷，其接触面有光滑和凹槽两种，其中光滑的表面可安装PE面板，以满足低

Keyhole Fender is heavy-duty designed, There is a choice of grooved or flat surface fenders depending on the required friction levels. It can also be made as Composite fenders with integral UHMW-PE faces.



### 护舷规格 Specification

型号Type	A	B	C	ΦD	E	ΦG	LMax	重量 weight
C200	200	200	35	28	130	90	3000	35
C250	250	250	50	33	150	100	3000	58
C300	300	300	60	33	180	115	3000	86
C350	350	350	70	33	210	125	3000	127

[Units: mm, kg/m]

穿杠 Pin	夹板 Flat Bar	R <sub>Max</sub>
Φ25	100×16	450
Φ30	125×20	600
Φ30	150×20	800
Φ30	174×25	1000

[Units: mm]

